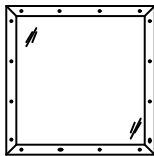
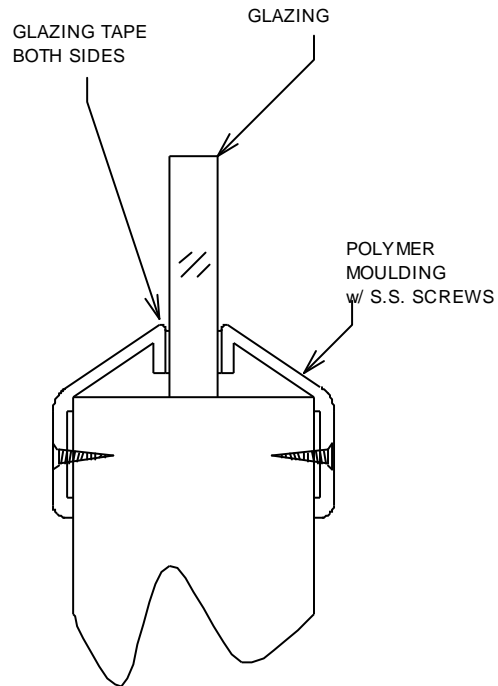


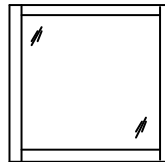
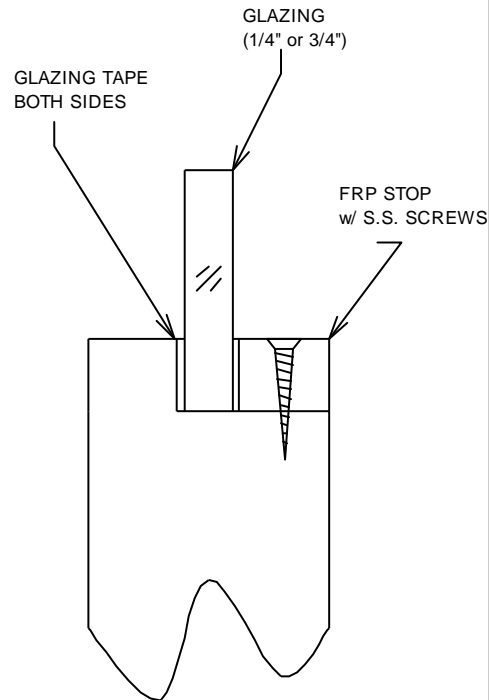
# GLAZING DETAILS

**STANDARD VISION LITE**  
Single



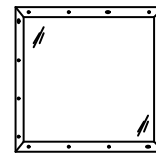
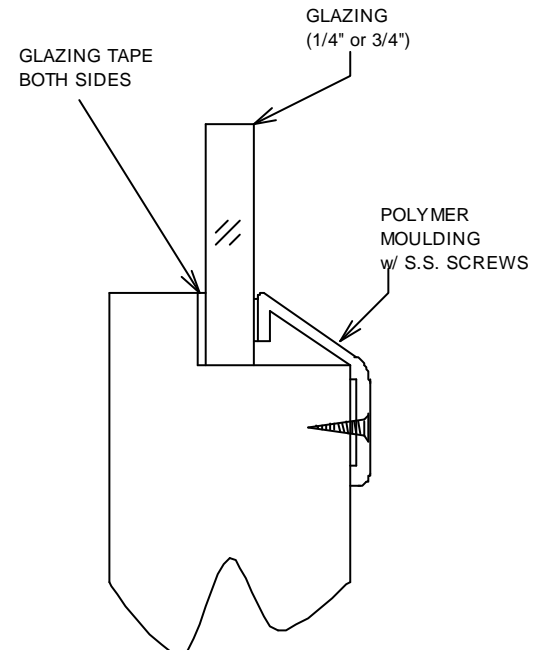
SCREWS ON BOTH SIDES

**RABBET VISION LITE**  
Single



SCREWS ON ONE SIDE

**COMBINATION VISION LITE**  
Single



SCREWS ON ONE SIDE

NOT TO SCALE

**Revision**



1870 Stillman Drive \* Oshkosh, WI 54901  
(920) 231-2000 \* fax: (920) 231-2238

Job Name:

Drawn By:

Order #:

Elevation:

Sheet of