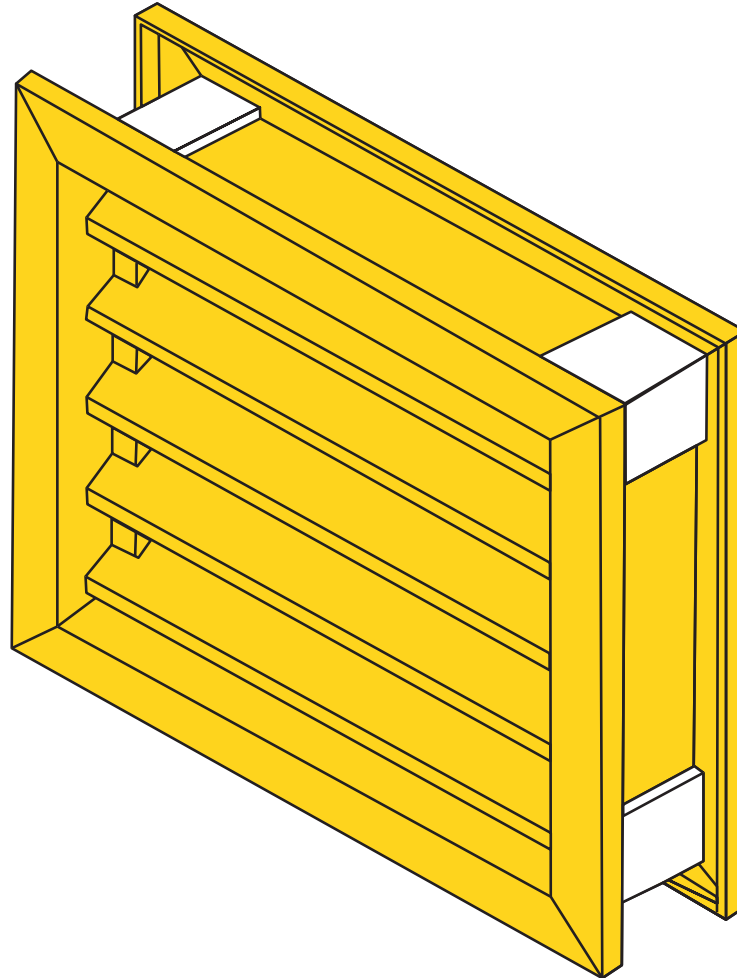


CORRIM Company

FRP FIXED WALL LOUVER



In accordance with a continuing program of product research and development, CORRIM Company reserves the right to change design and/or details of its products without notice. All details, drawings, and dimensions are accurate for estimating purposes at the time of publication. Specific information for job details and drawings should be obtained from CORRIM Company offices or distributors.

CORRIM Company

Corrosion Immune Fiberglass Doors & Frames

1870 Stillman Drive • Oshkosh, WI 54901-1010
(920) 231-2000 FAX (920) 231-2238

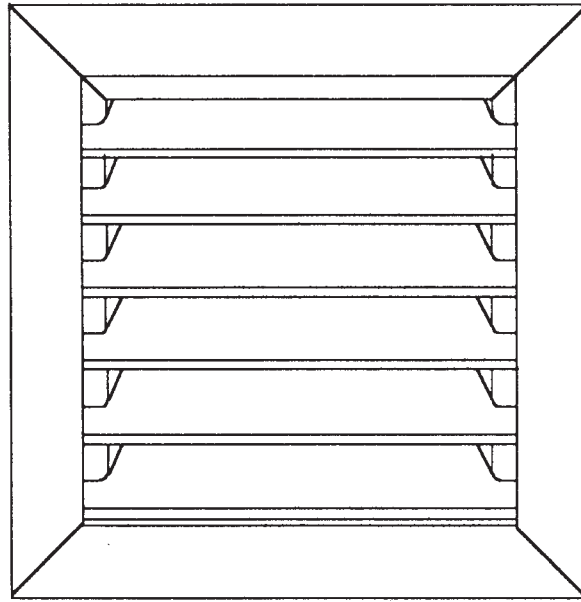
Internet Address:
www.corrim.com

E-mail Address:
info@corrim.com

TECHNICAL FACT SHEET

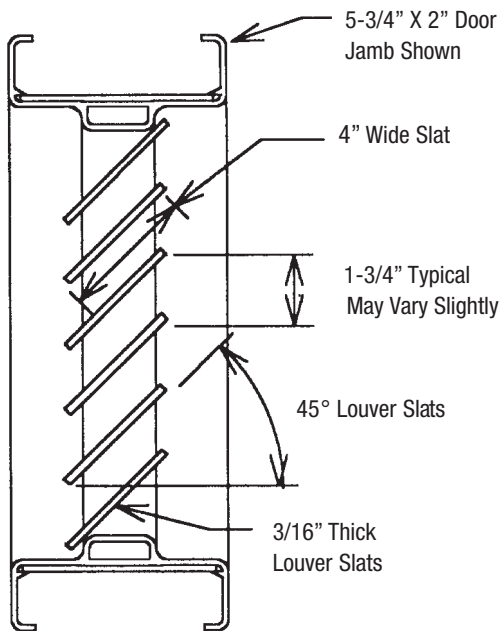
50-14

WALL LOUVER

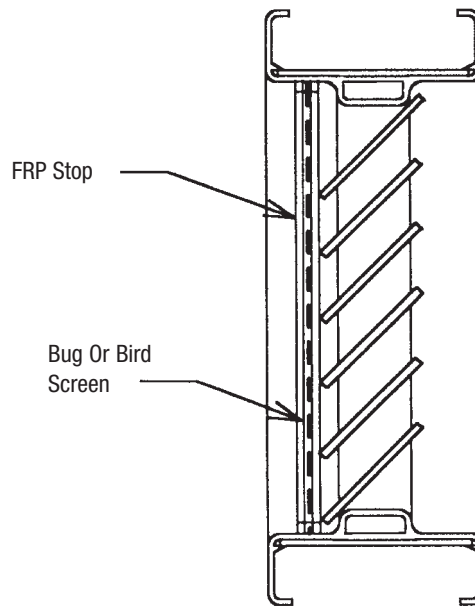


Vertical Center Mullion Post
Required When Overall Width
Greater Than 4 Feet

WALL LOUVER SECTION



WALL LOUVER SECTION WITH BUG/BIRD SCREEN



FRP FIXED WALL LOUVER

General

A fiberglass fixed louver system shall be constructed from pultruded FRP component parts. The slats shall be attached to the frame by means of resin bonding. Engineering drawings must be developed and signed and accepted prior to construction. Bug/bird screen is optional and can be specified at time of order.

Frames

A standard pultruded frame section, 5-3/4" x 2", is constructed to have four (4) sides.

Bug/Bird Screen

Stainless steel or fiberglass bug/bird screen is available as shown above. Type and size should be specified at time of order.

Fasteners shall be stainless or polymer unless otherwise approved prior to construction.

An **Anchoring System**, suited for the wall condition, will be selected prior to construction of the units so as to ensure ease of installation.