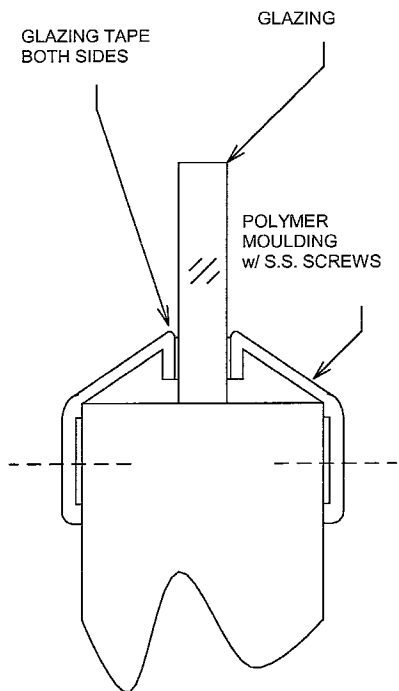
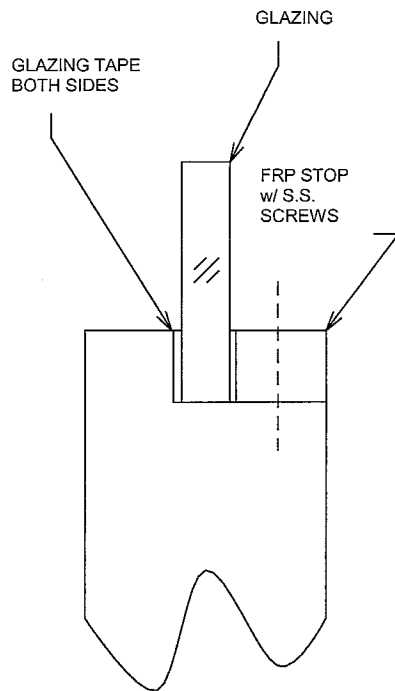


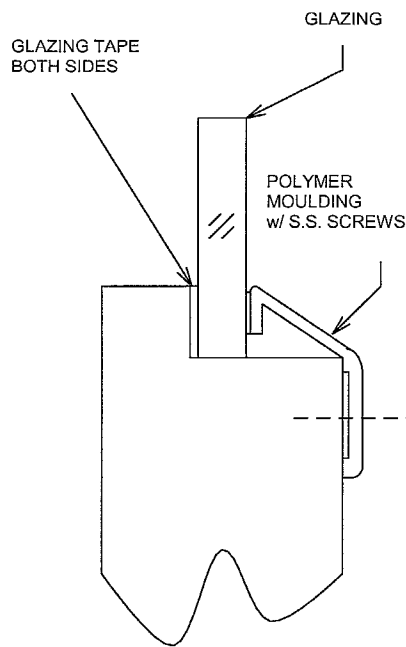
DETAIL SHEET



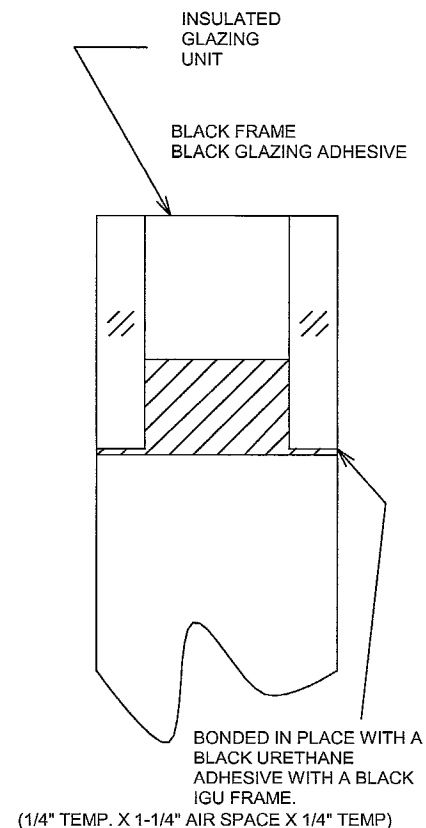
STANDARD
VISION LITE
STANDARD



RABBET
VISION LITE
SINGLE



RABBET
VISION LITE
SINGLE



SANITARY FLUSH
GLAZED DOOR
1-3/4" IGU

GLAZING DETAILS

NOT TO SCALE

Revision

CORRIM Company

Corrosion Immune Fiberglass Doors & Frames

1870 Stillman Drive * Oshkosh, WI 54901
(920) 231-2000 * fax: (920) 231-2238

Job Name:

Drawn By:

Order #:

Elevation:

Sheet of