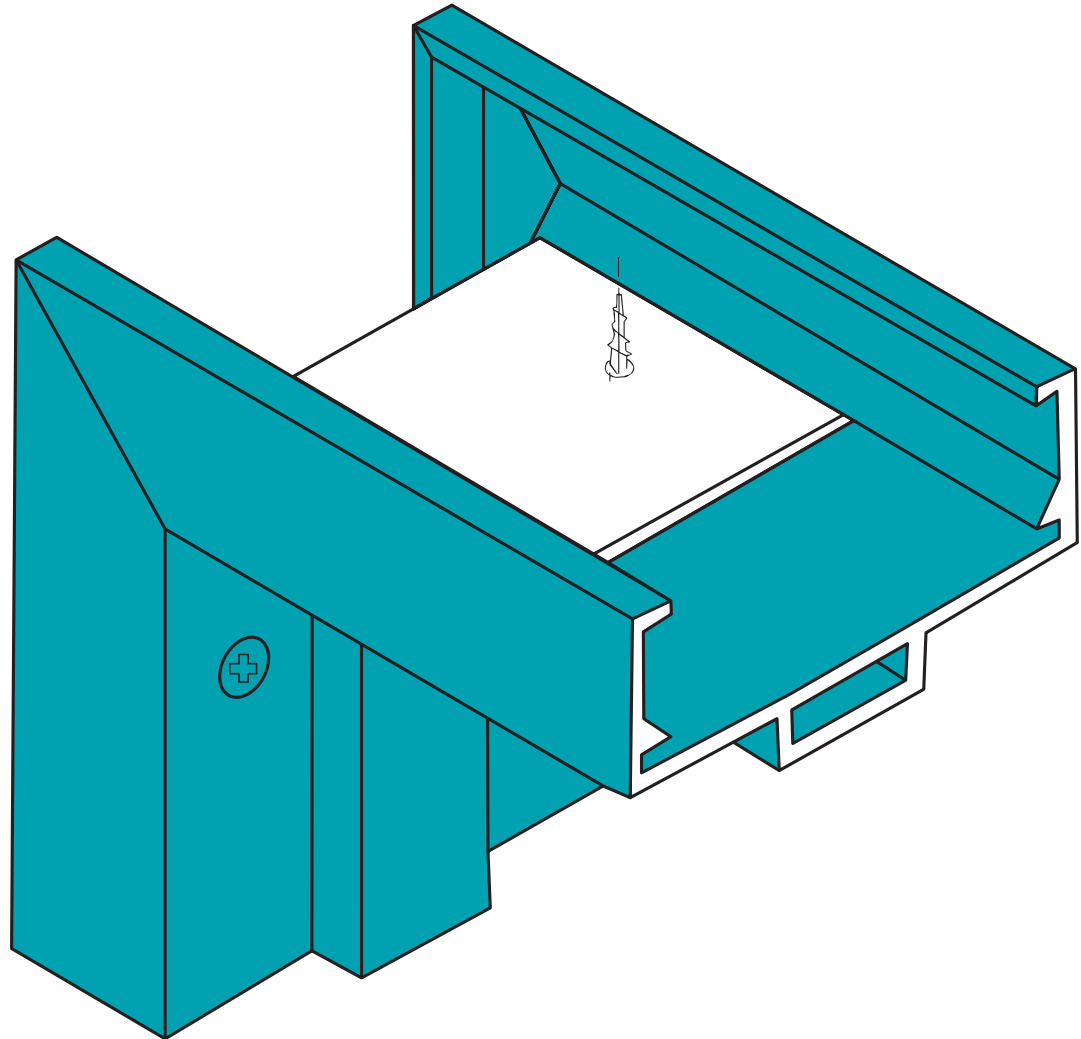


# FRP FRAMES

## TECHNICAL FACT SHEET 30-21

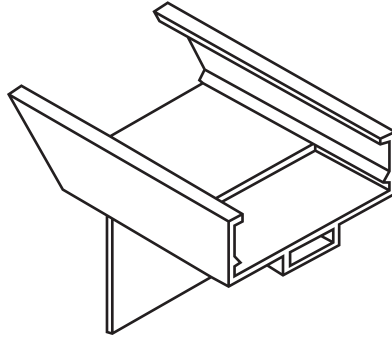
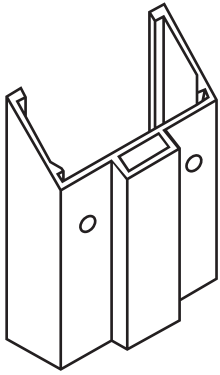


In accordance with a continuing program of product research and development, CORRIM reserves the right to change design and/or details of its products without notice. All details, drawings, and dimensions are accurate for estimating purposes at the time of publication. Specific information for job details and drawings should be obtained from CORRIM offices or distributors.

**CORRIM**

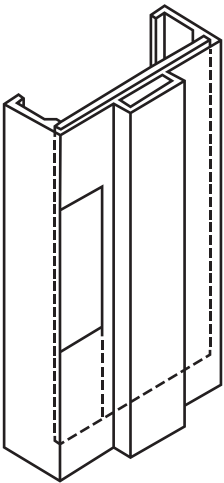
1870 Stillman Drive Oshkosh, WI 54901-1010  
Phone: 920-231-2000 • Fax: 920-231-2238  
[www.corrim.com](http://www.corrim.com) • [info@corrim.com](mailto:info@corrim.com)

# FRAME DETAILS



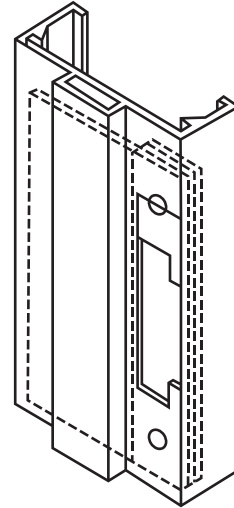
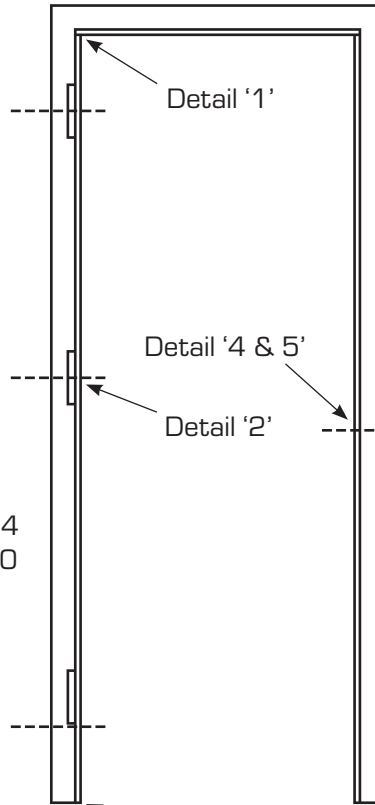
## Detail '1'

- 45° Knock Down Miter For Single and Double Door Installations
- Miters Are Field Assembled Utilizing FRP Corner brackets and Stainless Screws
- Optional: Factory Assembled and Resin Bonded Miters Available



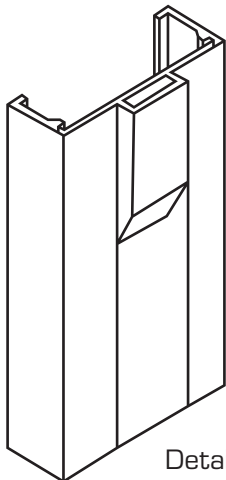
## Detail '2'

- Standard Hinge Machining For 4-1/2" x 4-1/2" x 4-1/2" x .134
- 5 x 4-1/2" x .190 and 4-1/2" x .180 Also Available



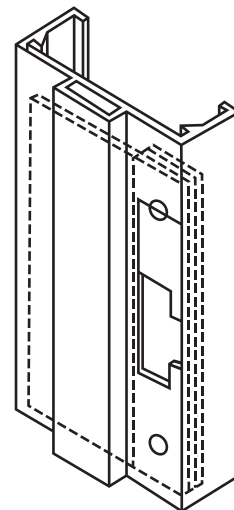
## Detail '5'

- Standard 4-7/8" A.N.S.I. Strike Machining
- Accepts 1" Throw



## Detail '3'

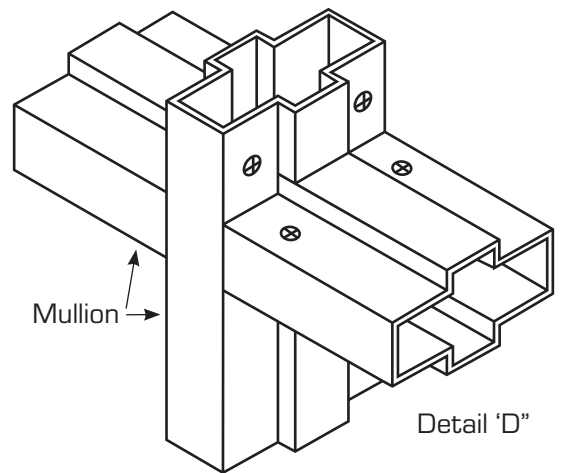
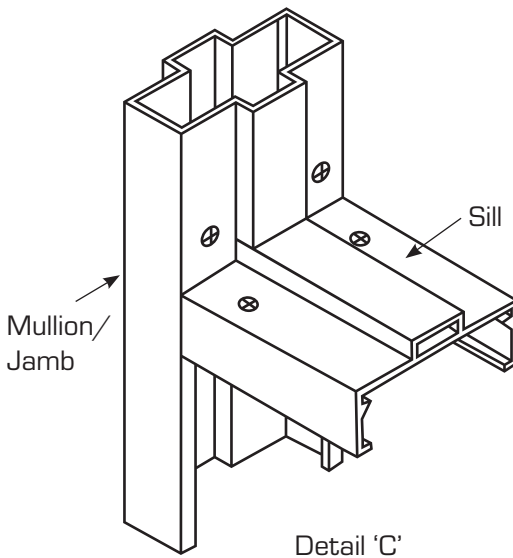
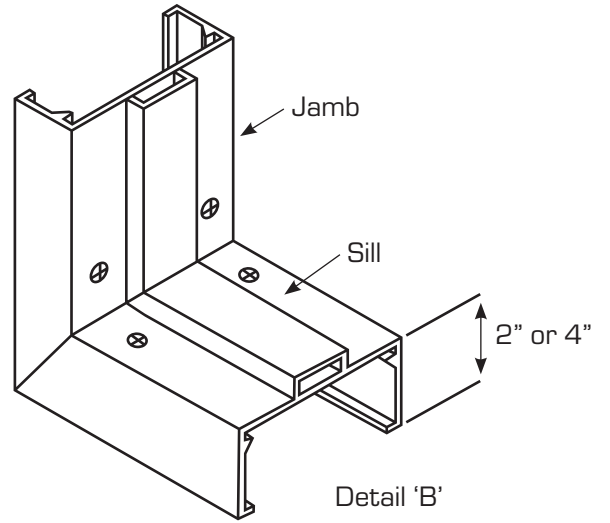
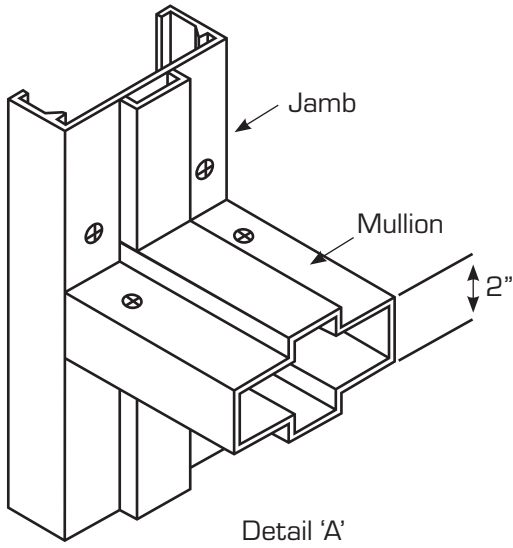
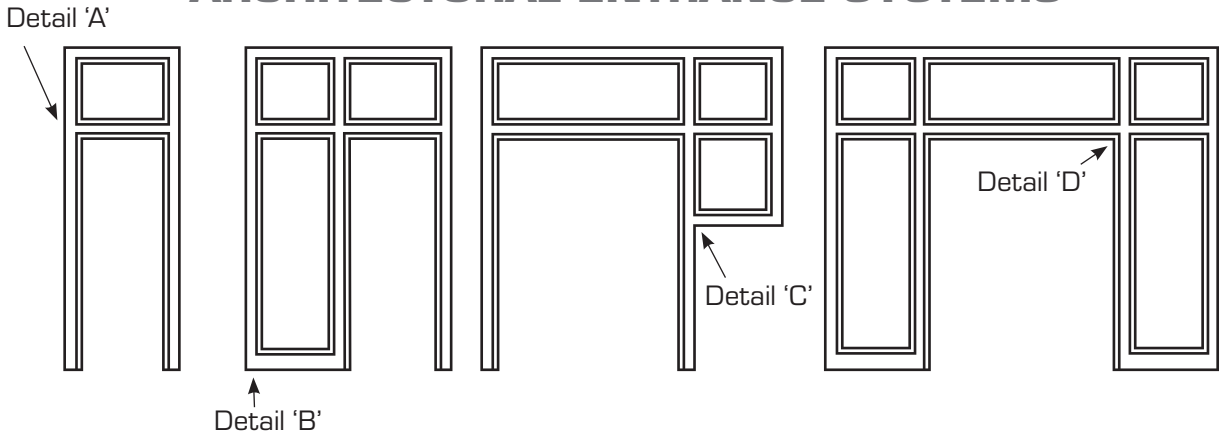
- Optional Hospital Stop Frames Available For All Double Rabbeted Frames



## Detail '4'

- Optional 2-3/4" A.N.S.I. Strike Machining
- Accepts 1" Throw

# ARCHITECTURAL ENTRANCE SYSTEMS

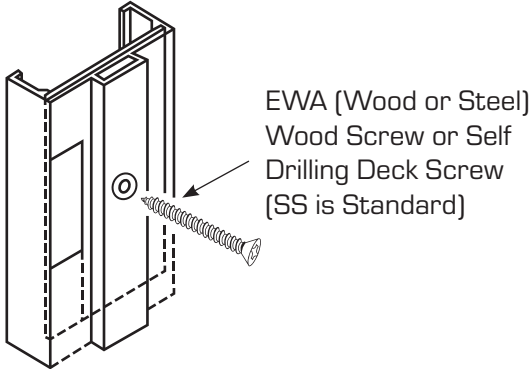
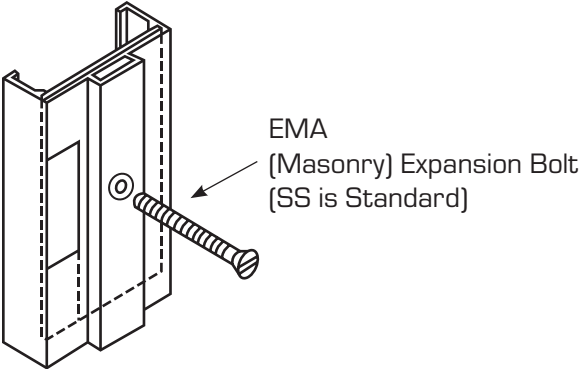


# STANDARD ANCHOR DETAILS

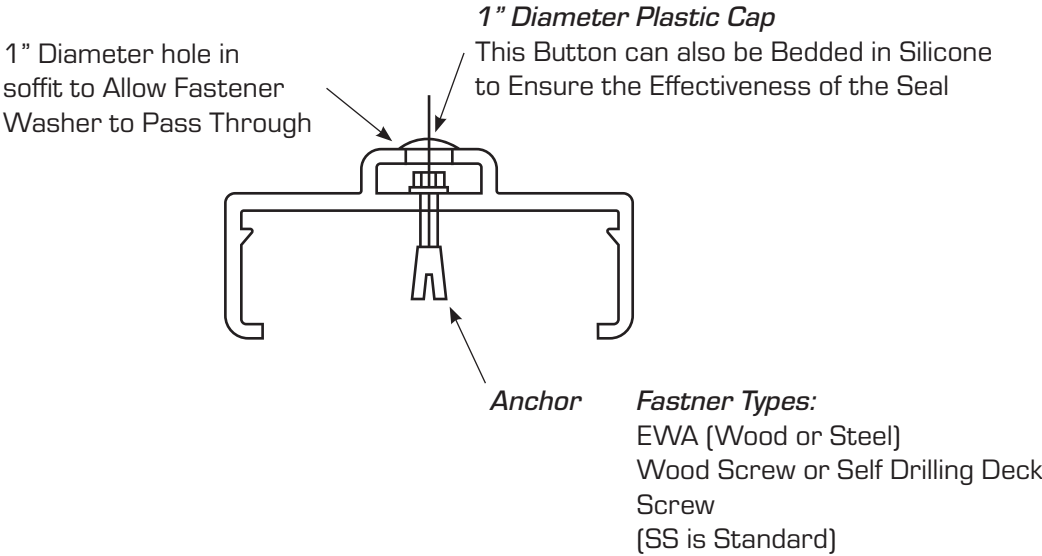
## EXISTING WALL

Punch & Dimple (P&D) Existing Wall Anchor (Butting)

Please Specify Wall *Material*  
(Masonry, Steel Stud, Wood Stud)

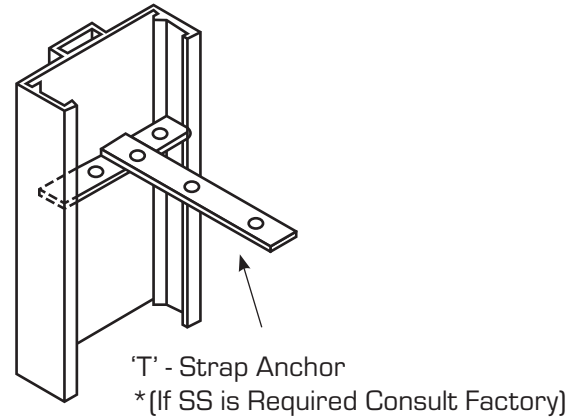
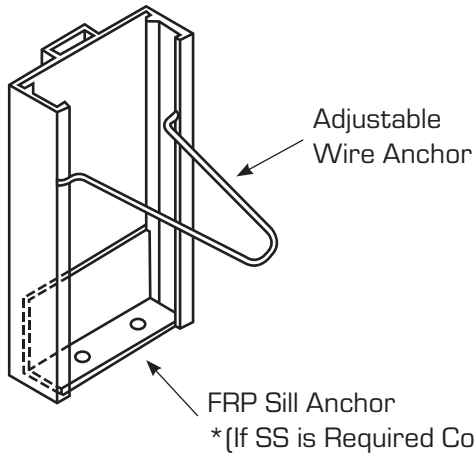


Concealed w/cap Existing Wall Anchor (Butting)

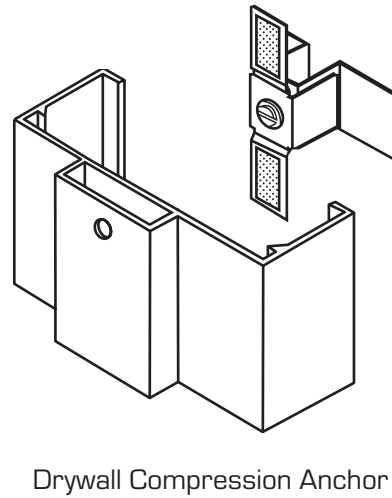
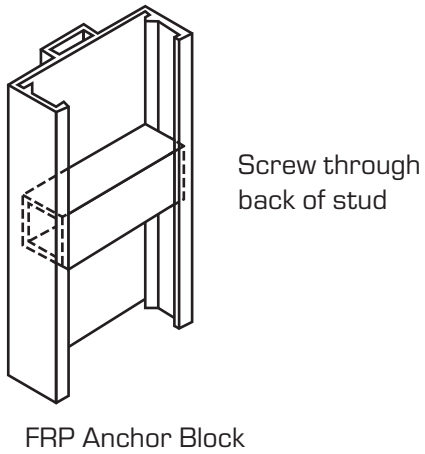


# ANCHOR DETAILS

## NEW MASONRY



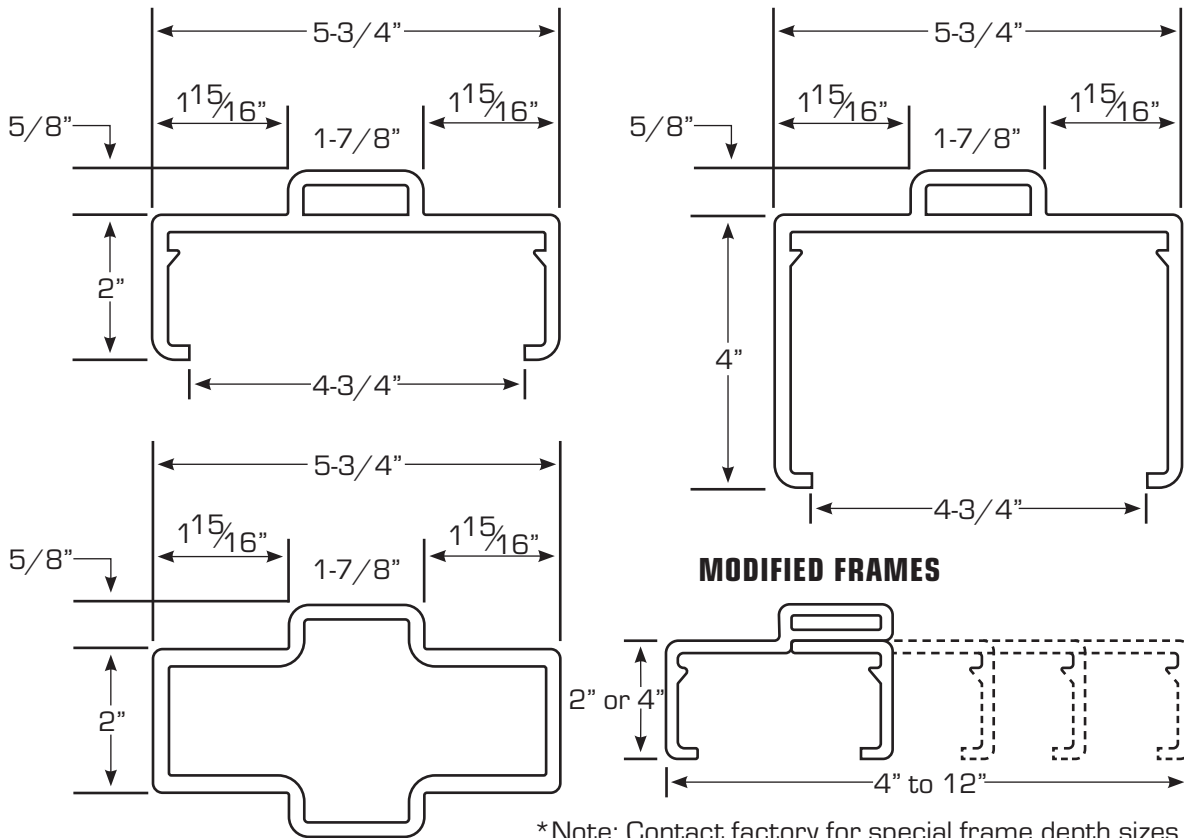
## NEW STUD



\*Note: Contact factory for special anchoring options.

# STANDARD FRAME PROFILES

Note: All frames are built to fit a particular opening. Width height, depth and wall material of each rough opening must be specified.



\*Note: Contact factory for special frame depth sizes.

## HANDING DATA

### HOW TO DETERMINE HAND AND SWING

1. The hand of a door is determined from the outside.
2. The outside of an entrance door is the street side
3. The outside of a room door is the corridor side.
4. The outside of a communicating door is the side from which hinges are not visible with door closed.
5. The outside of a closet door is the room side.
6. The key side (x) will be outside, unless otherwise specified.



### ON PAIRS OF DOORS KEY SIDE

Right hand leaf is always active unless specified.

