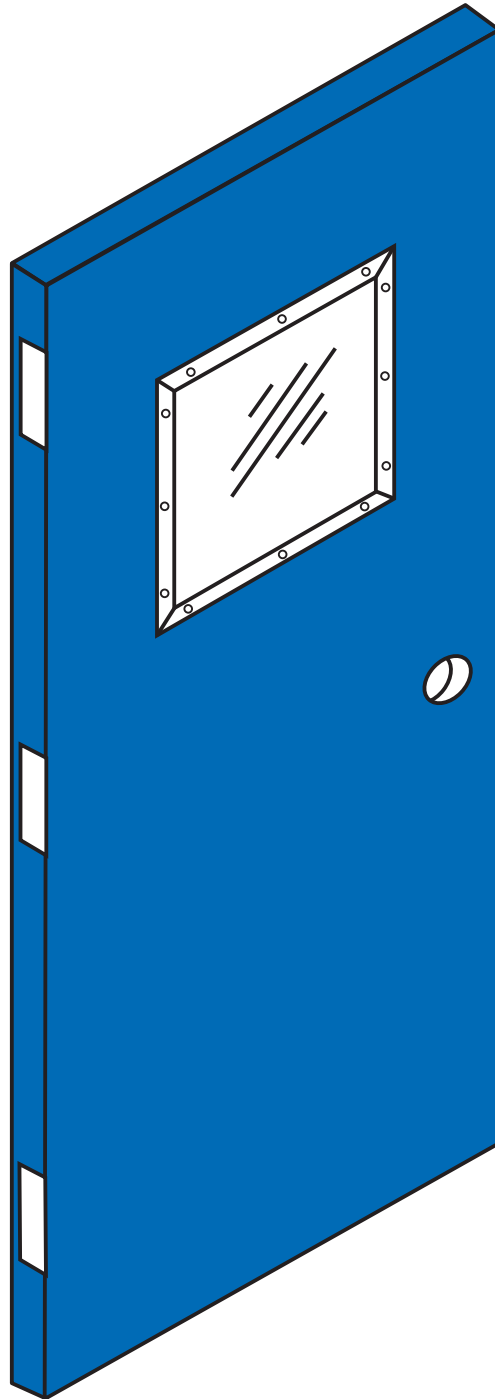


FRP DOORS

TECHNICAL FACT SHEET 20-21

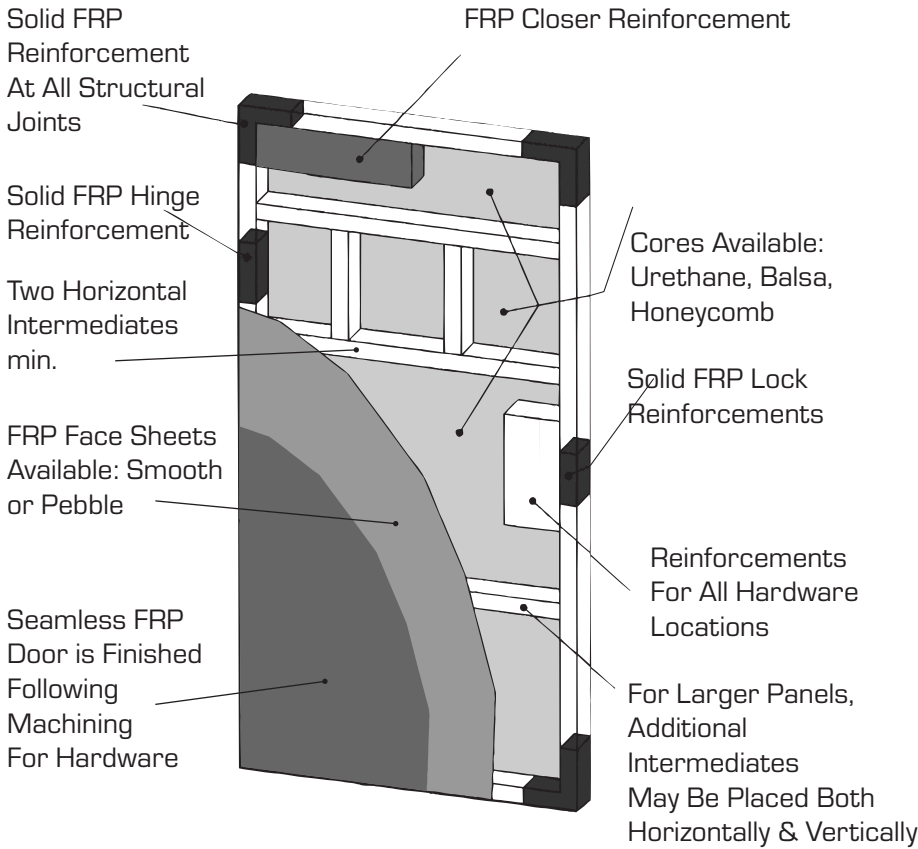


In accordance with a continuing program of product research and development, CORRIM reserves the right to change design and/or details of its products without notice. All details, drawings, and dimensions are accurate for estimating purposes at the time of publication. Specific information for job details and drawings should be obtained from CORRIM offices or distributors.

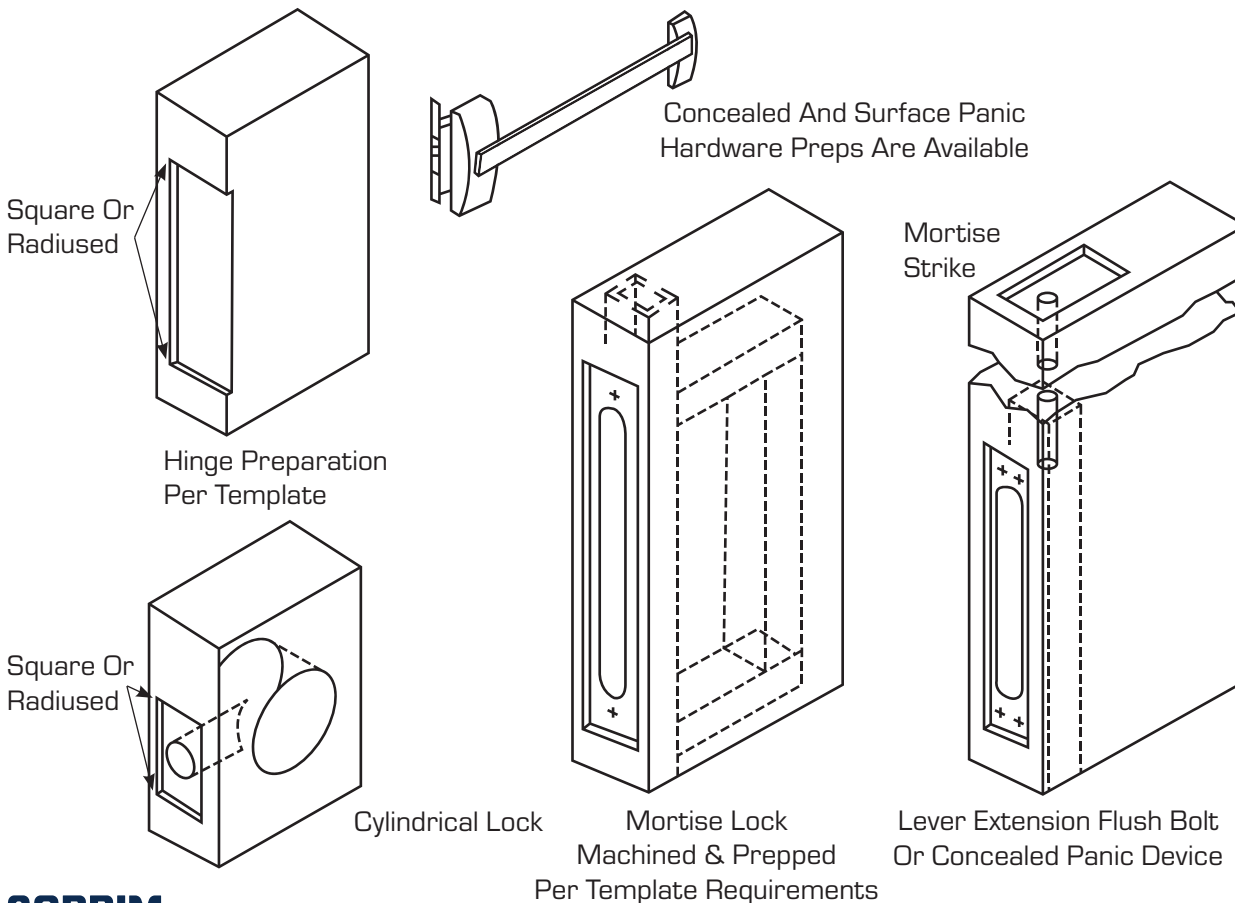
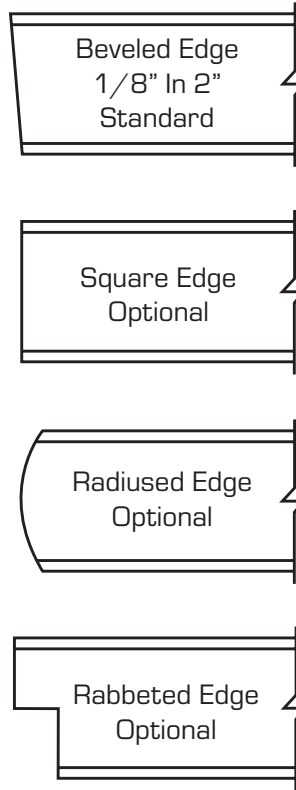
CORRIM

1870 Stillman Drive Oshkosh, WI 54901-1010
Phone: 920-231-2000 • Fax: 920-231-2238
www.corrim.com • info@corrim.com

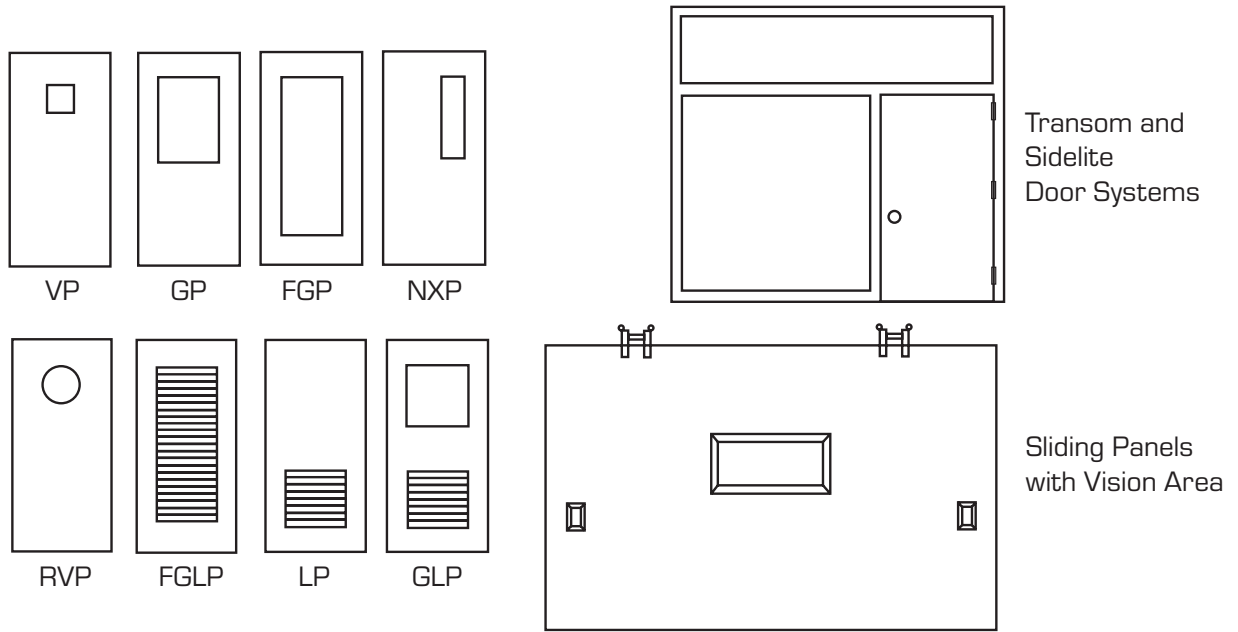
TYPICAL CONSTRUCTION DETAIL



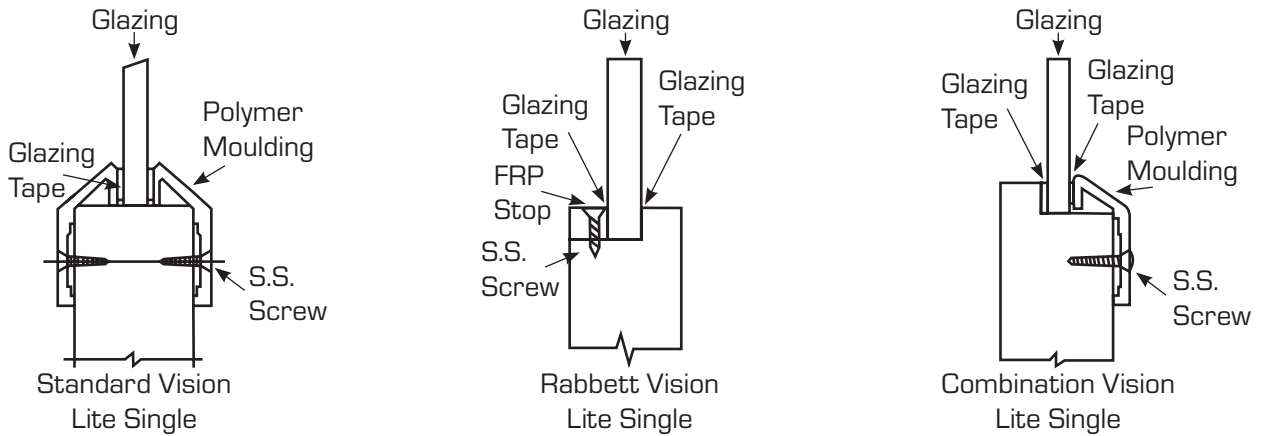
DOOR EDGE DETAILS



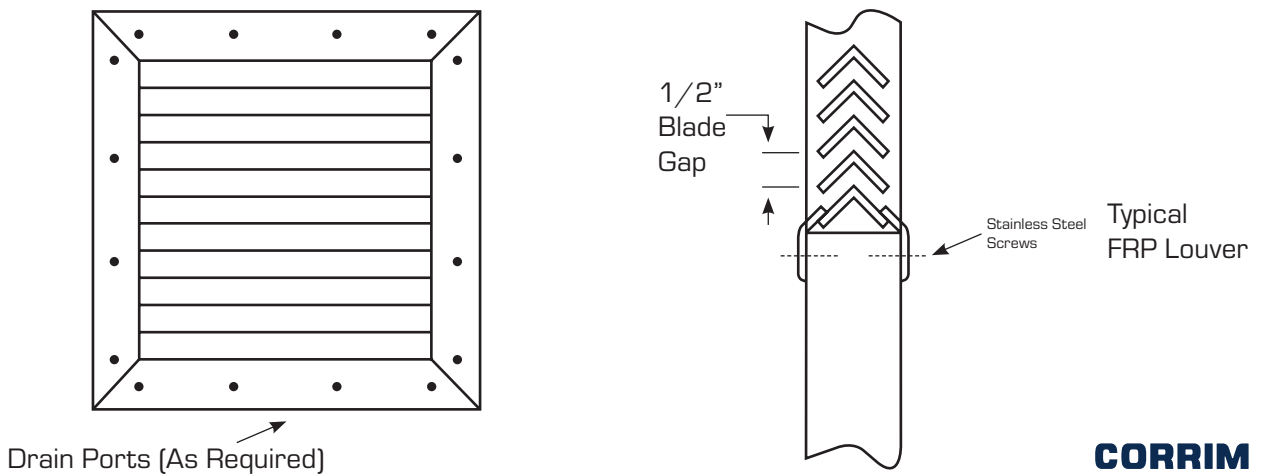
TYPICAL DOOR CONFIGURATIONS



OPTIONAL GLAZING DETAILS



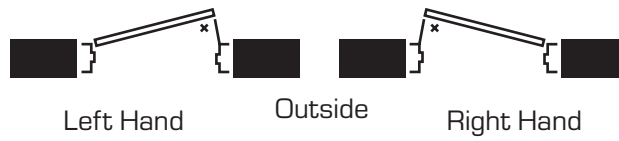
OPTIONAL LOUVER DETAILS



HANDING DATA

HOW TO DETERMINE HAND AND SWING

1. The hand of a door is determined from the outside.
2. The outside of an entrance door is the street side
3. The outside of a room door is the corridor side.
4. The outside of a communicating door is the side from which hinges are not visible with door closed.
5. The outside of a closet door is the room side.
6. The key side (x) will be outside, unless otherwise specified.



ON PAIRS OF DOORS KEY SIDE

Right hand leaf is always active unless specified.



FINISH	SMOOTH FACESHEET	PEBBLE FACESHEET
Polyurethane Flat	Optional	N/A
Polyurethane Semi - Gloss	Standard	Standard
Polyurethane Gloss	Optional	Optional
Gel Coat Matte	Optional	N/A