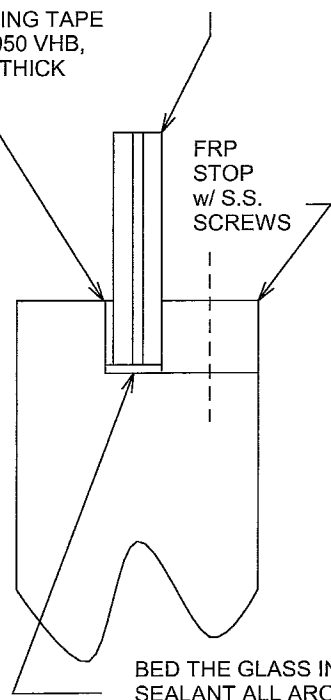


DETAIL SHEET

LAMINATED GLAZING
 SOLUTIA PVB (3/16 H.S./0.090 PVB/3/16 H.S.)
 SOLUTIA STORM (3/16 H.S./0.075 STORM/3/16 H.S.)

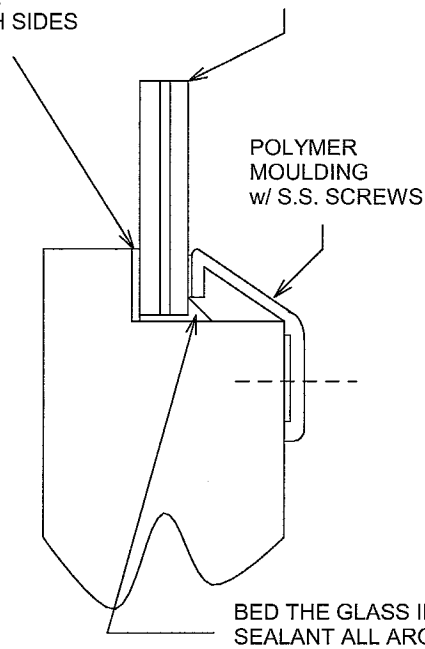
GLAZING TAPE
 3M 4950 VHB,
 1/16" THICK



RABBETT
 VISION
 LITE
 SINGLE

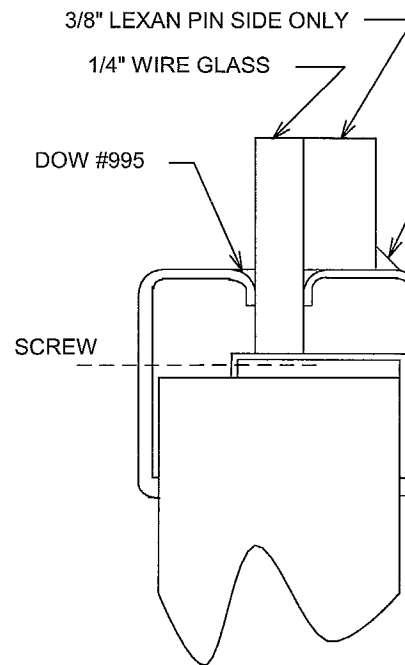
LAMINATED GLAZING
 SOLUTIA PVB (3/16 H.S./0.090 PVB/3/16 H.S.)
 SOLUTIA STORM (3/16 H.S./0.075 STORM/3/16 H.S.)

GLAZING TAPE
 BOTH SIDES



RABBETT
 VISION LITE
 SINGLE

DOW #995 SEALANT BOTH SIDES
 ALL AROUND THE PERIMETER



FIRE DOOR WIRE
 GLAZING
 WITH LEXAN LAMINATE

OPTIONAL GLAZING DETAILS

NOT TO SCALE

<table border="1" style="width: 100%; border-collapse: collapse;"> <tr> <td style="text-align: center;">Revision</td> </tr> <tr> <td> </td> </tr> <tr> <td> </td> </tr> <tr> <td> </td> </tr> </table>	Revision				<p>CORRIM Company Corrosion Immune Fiberglass Doors & Frames 1870 Stillman Drive * Oshkosh, WI 54901 (920) 231-2000 * fax: (920) 231-2238</p>	Job Name: <hr/> Drawn By: Elevation: <hr/> Order #: Sheet of
Revision						