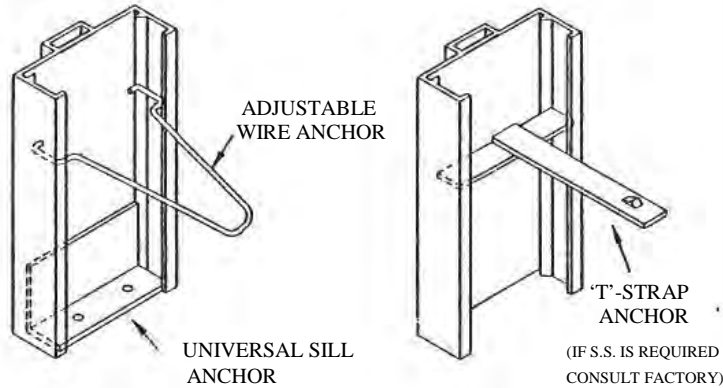


ANCHOR SHEET

CORRIM IS NOT LIMITED TO STANDARD ANCHORS. A PARTIAL SELECTION OF ANCHORS IS SHOWN BELOW

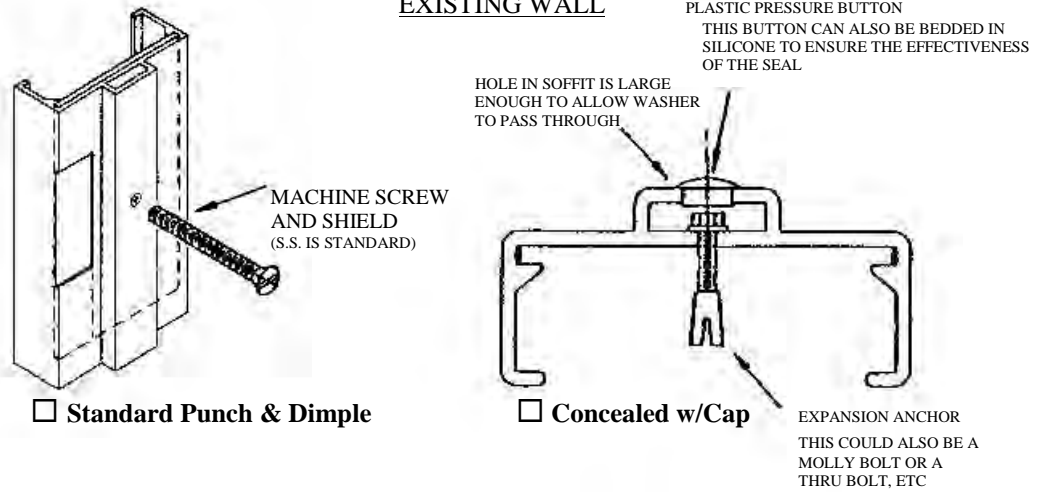
NEW MASONRY



WIRE

T-STRAP

EXISTING WALL



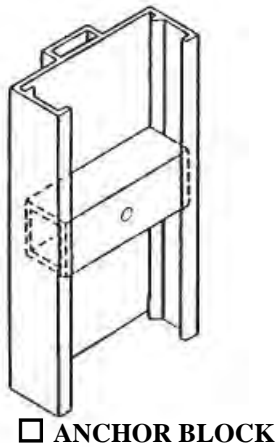
Standard Punch & Dimple

Concealed w/Cap

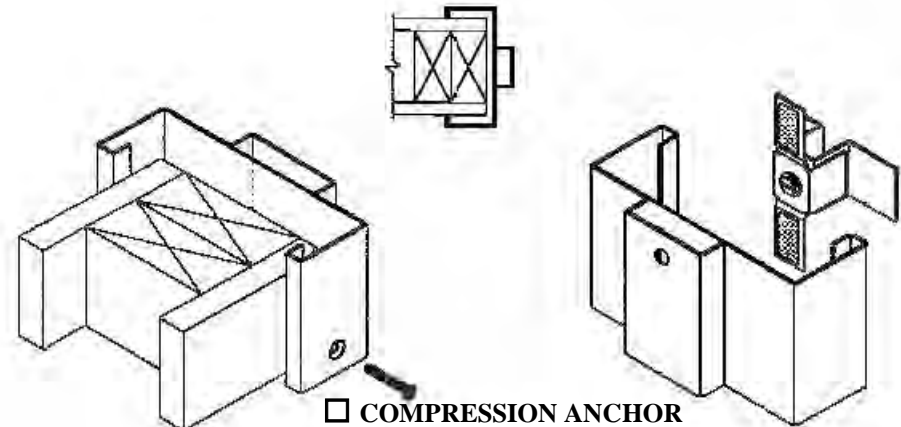
PLEASE SPECIFY WALL CONSTRUCTION

MASONRY STEEL STUD WOOD STUD

NEW STUD



DRYWALL COMPRESSION ANCHOR USED TOGETHER FOR EXISTING DRYWALL CONSTRUCTION



Revision

CORRIM Company

Fiberglass Doors & Frames

1870 Stillman Drive ~ Oshkosh, WI 54901

Job Name:

Drawn:

Order#

Sheet of