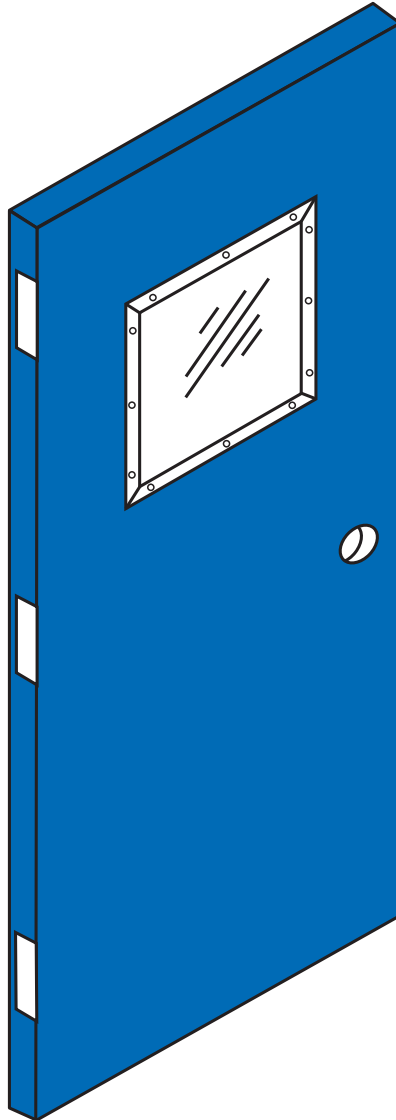


CORRIM Company

FRP DOORS



In accordance with a continuing program of product research and development, CORRIM Company reserves the right to change design and/or details of its products without notice. All details, drawings, and dimensions are accurate for estimating purposes at the time of publication. Specific information for job details and drawings should be obtained from CORRIM Company offices or distributors.

CORRIM Company

Corrosion Immune Fiberglass Doors & Frames

1870 Stillman Drive • Oshkosh, WI 54901-1010
(920) 231-2000 FAX (920) 231-2238

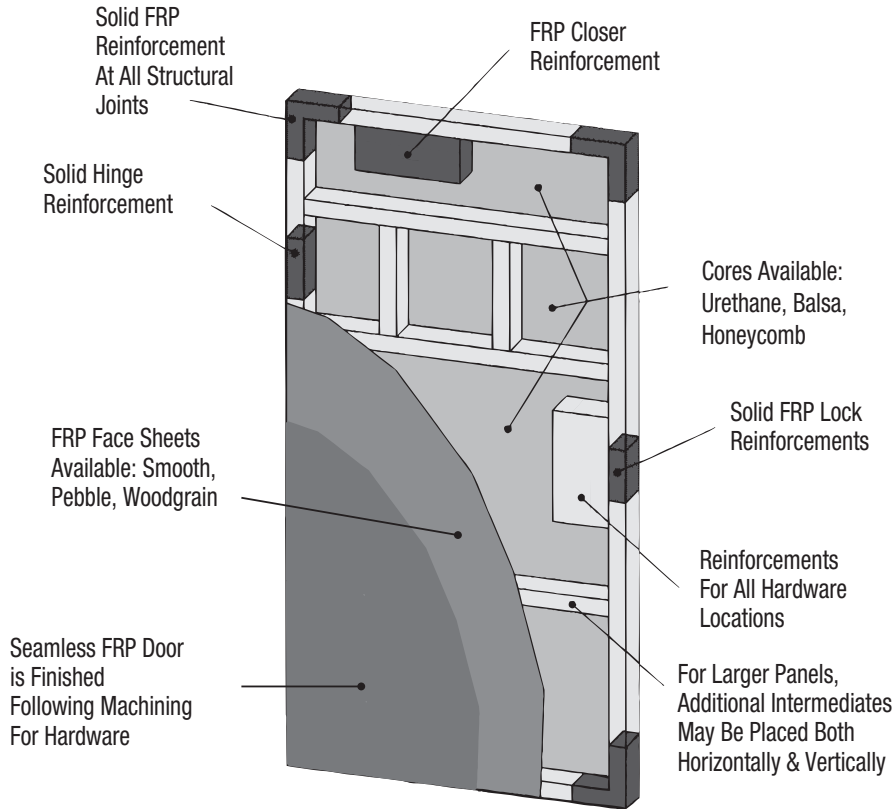
Internet Address:
www.corrim.com

E-mail Address:
info@corrim.com

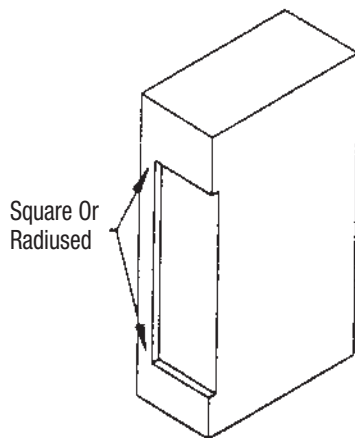
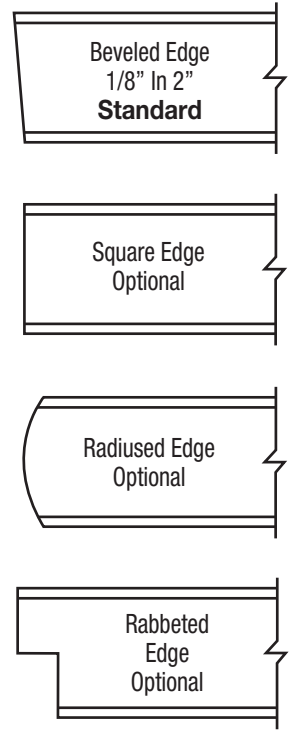
TECHNICAL FACT SHEET

20-14

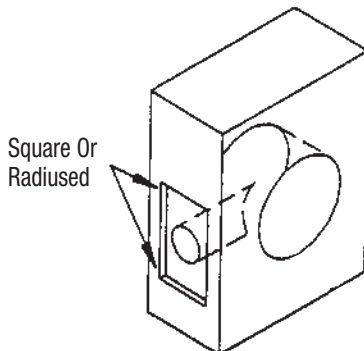
TYPICAL CONSTRUCTION DETAIL



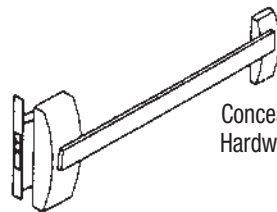
DOOR EDGE DETAILS



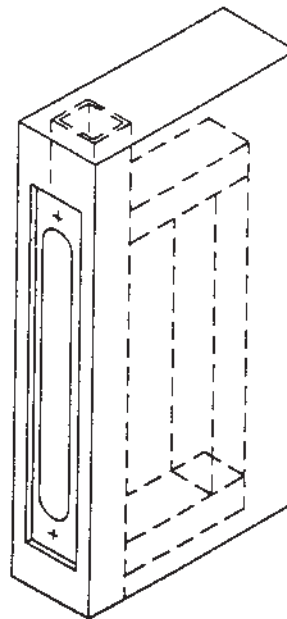
Hinge Preparation Per Template



Cylindrical Lock

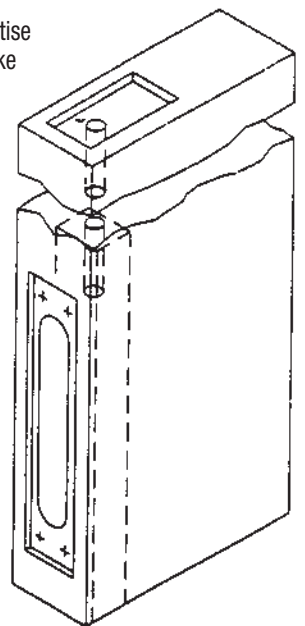


Concealed And Surface Panic Hardware Preps Are Available



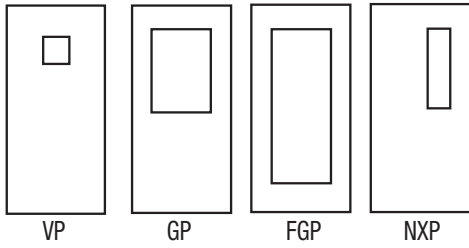
Mortise Lock Machined & Prepped Per Template Requirements

Mortise Strike



Lever Extension Flush Bolt Or Concealed Panic Rod Device

TYPICAL DOOR CONFIGURATIONS

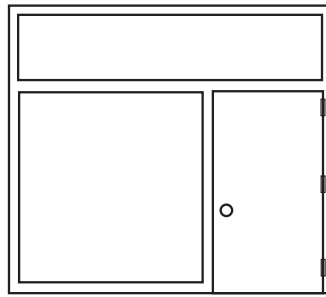


VP

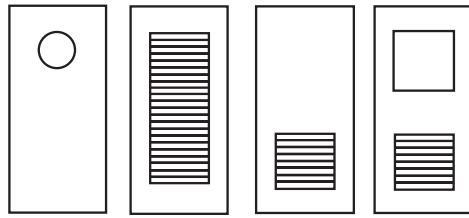
GP

FGP

NXP



Transom and Sidelite Door Systems

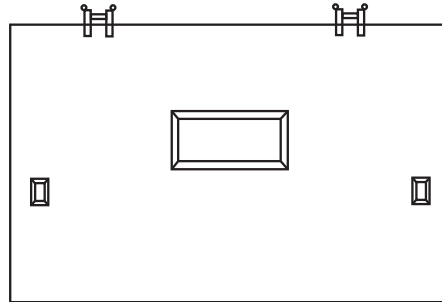


RVP

FGLP

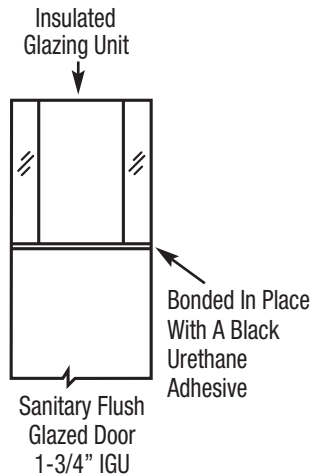
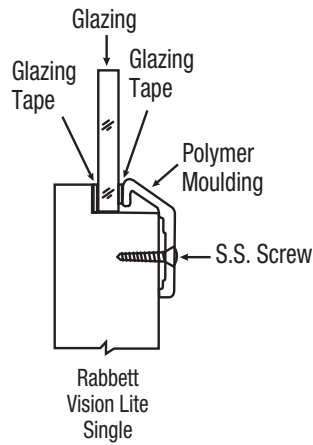
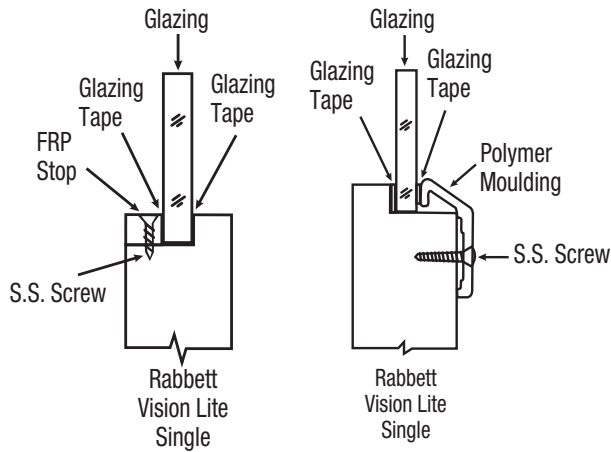
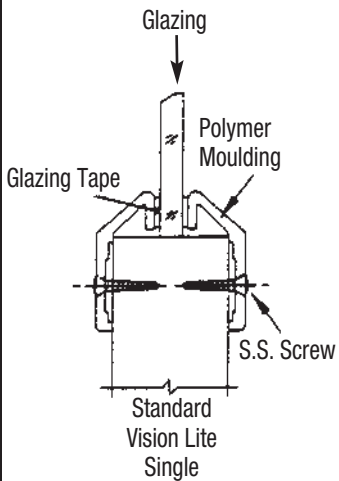
LP

GLP

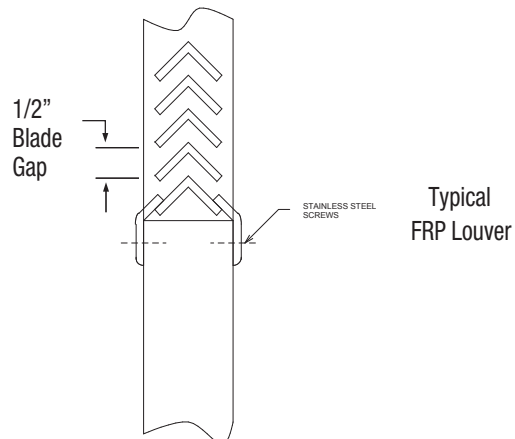
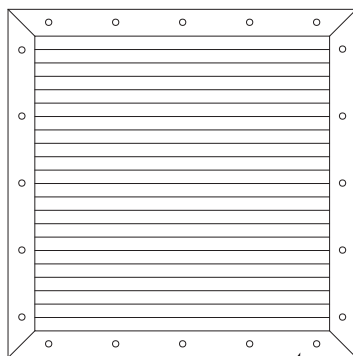


Sliding Panels With Vision Area

OPTIONAL GLAZING DETAILS



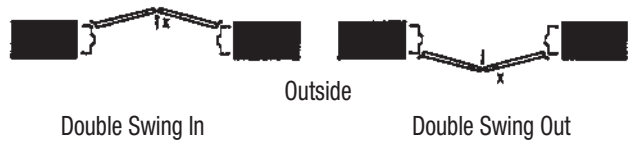
OPTIONAL LOUVER DETAILS



HANDING DATA

How to Determine Hand and Swing

1. The hand of a door is determined from the outside.
2. The outside of an entrance door is the street side
3. The outside of a room door is the corridor side.
4. The outside of a communicating door is the side from which hinges are not visible with door closed.
5. The outside of a closet door is the room side.
6. The key side (x) will be outside, unless otherwise specified.



On Pairs of Doors Key Side

Right hand leaf is always active unless specified.