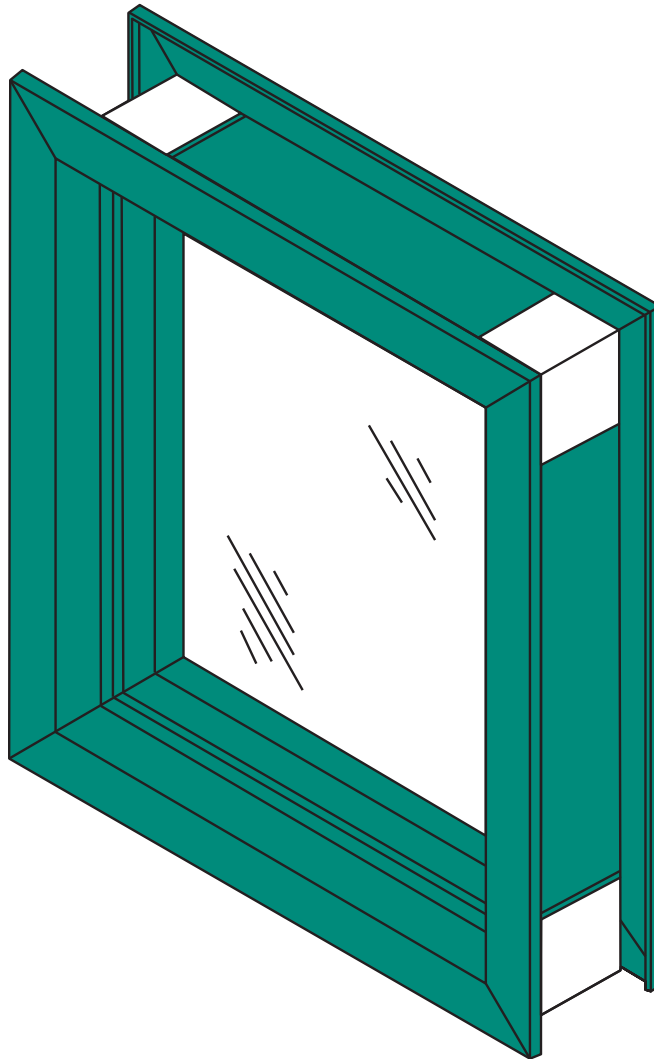


CORRIM Company

FRP FIXED WINDOW FRAME



In accordance with a continuing program of product research and development, CORRIM Company reserves the right to change design and/or details of its products without notice. All details, drawings, and dimensions are accurate for estimating purposes at the time of publication. Specific information for job details and drawings should be obtained from CORRIM Company offices or distributors.

CORRIM Company

Corrosion Immune Fiberglass Doors & Frames

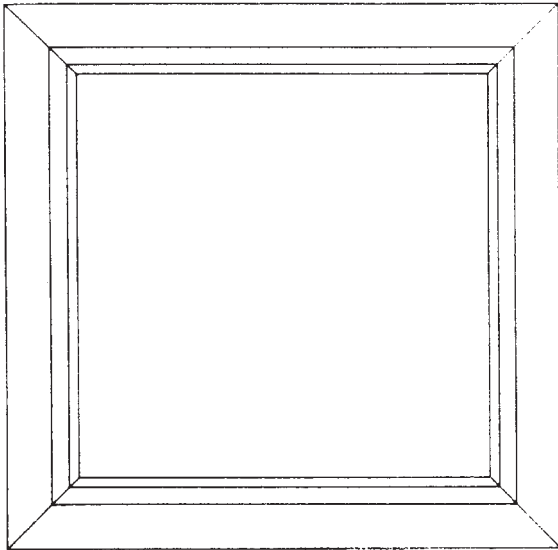
1870 Stillman Drive • Oshkosh, WI 54901-1010
(920) 231-2000 FAX (920) 231-2238

Internet Address:
www.corrim.com

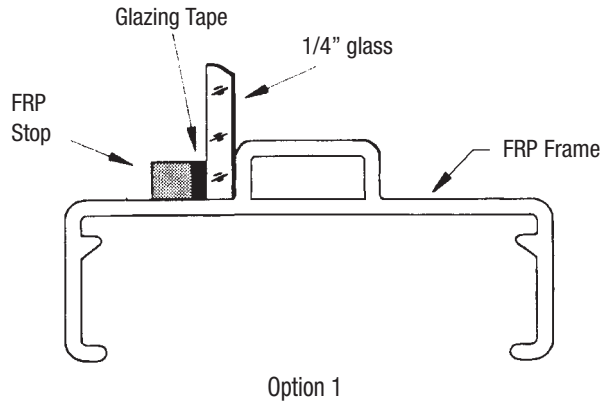
E-mail Address:
info@corrim.com

TECHNICAL FACT SHEET

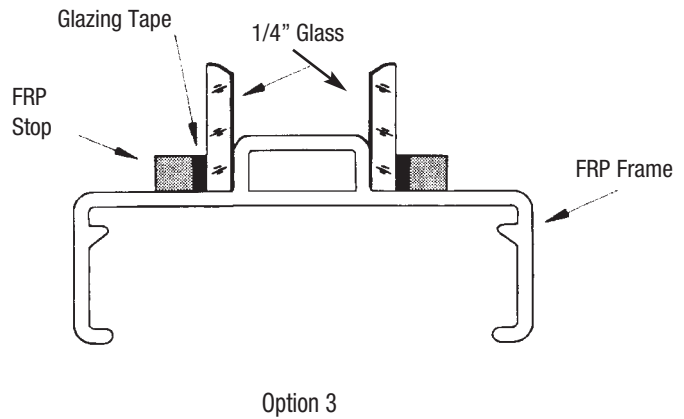
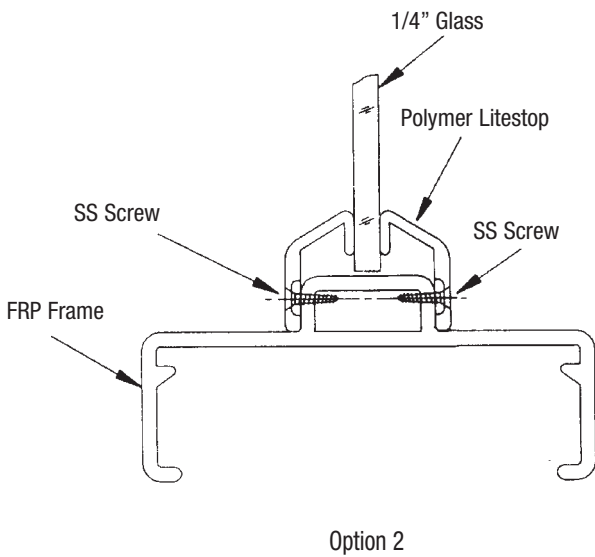
40-14



TYPICAL GLAZING



OPTIONAL GLAZING



FRP FIXED WINDOW SYSTEM

General

A fiberglass fixed lite system shall be constructed from pultruded FRP material. The glass shall be attached to the frame by means of accessories, stainless steel or polymer as specified at time of order. Engineering drawings must be developed and signed and accepted prior to construction. Glass is not normally provided. Stops, screws and anchors are provided as part of the assembly.

Frames

A standard pultruded frame section, 5-3/4" x 2", is constructed to have four (4) sides.

Resin Bonded Frames

One piece resin bonded and assembled frames are available.

Glazing

- Options 1 & 2: Single glazed option
- Option 3: Double glazed option
- Option 4: Contact factory for other available glazing options.

Factory glazing is available.

Fasteners shall be stainless or polymer unless otherwise approved prior to construction.

An **Anchoring System**, suited for the wall condition, will be selected prior to construction of the units so as to ensure ease of installation.